

WC Flush Valve, Enhanced IntergraSense, Concealed Box

PRODUCT FEATURES

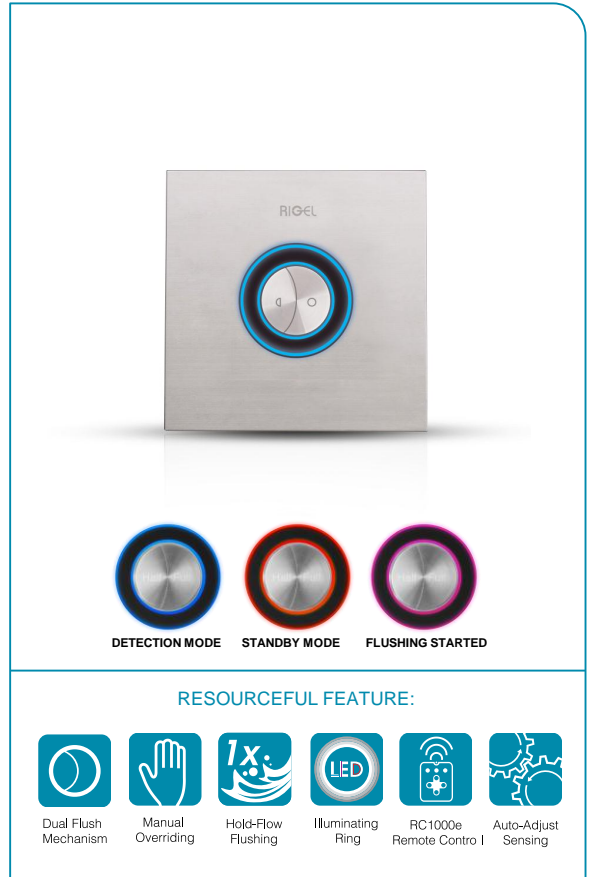
- Automatic infra-red sensor activation water closet flush valve
- Heavy duty S/S grade 304 cover plate with satin finish
- Automatic sensor adjustment on installation
- Piston valve with build-in stainless steel strainer for screening out the debris and self-cleaning solenoid
- Electrical sensor is isolated and sealed in waterproof compartment
- Single flush manual override button incorporated
- Circular LED indicator changes colour to reflect different stages
- Complete with 1-1/4" vacuum breaker set

PRODUCT SPECIFICATIONS

- Dimension : 180 (L) x 180 (H) mm (Front panel)
- Material : Brass casting flush valve with stainless steel satin finish panel
- Power Supply : 220~240VAC @ 50Hz
- Water Supply : BSPT G 1"
- Detection Time : 7 Seconds minimum
- Detection range : Self-adjusting to environment
- Operating Temperature : 0 – 40 °C
- Supply Pressure : 135 kPa (flowing) – 860 kPa (minimum flow rate of 90 litre/minute)
- Trap Seal Protection : Automatically flush once every 24 hours of non-use (optional)

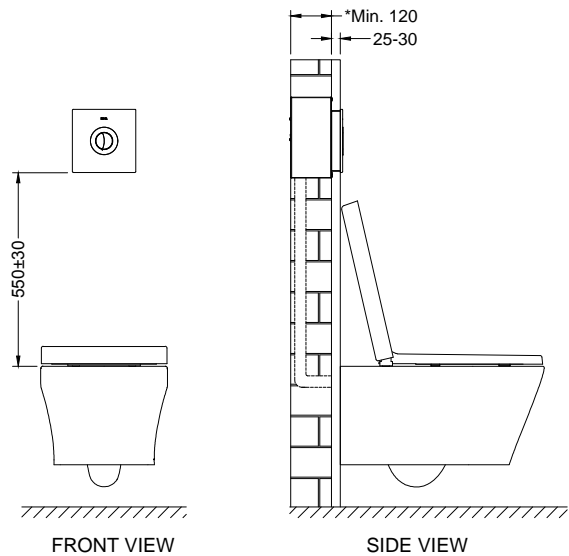
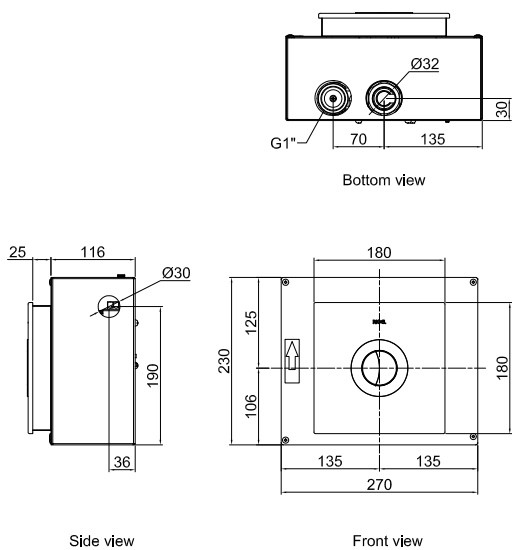
DISCHARGE VOLUME

- Full Flush : 4.5L per flush
- Reduced flush : 3.0L per flush



TECHNICAL DRAWING

INSTALLATION DETAILS



*550±30 - From bottom edge panel to water closed rim.

*Min. 120 - Brink wall.

*25-30 - Finished wall.